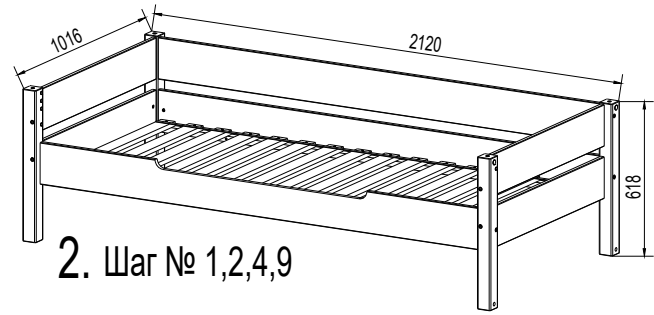
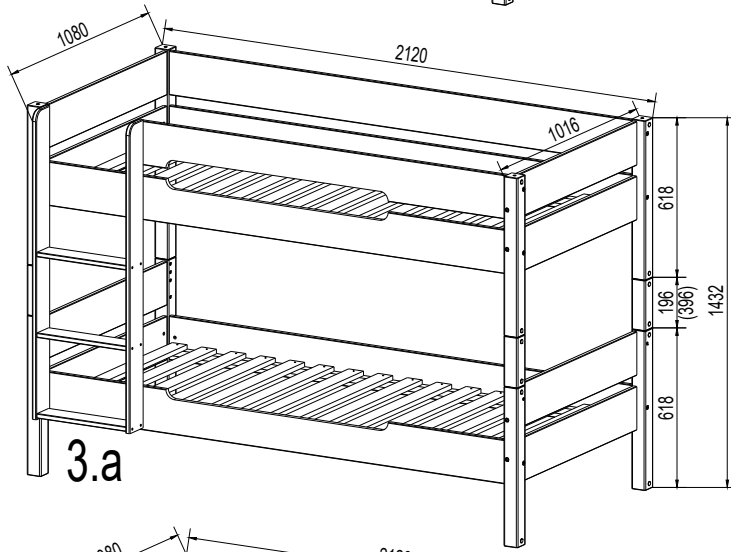


1. Шаг № 1,2,3,9

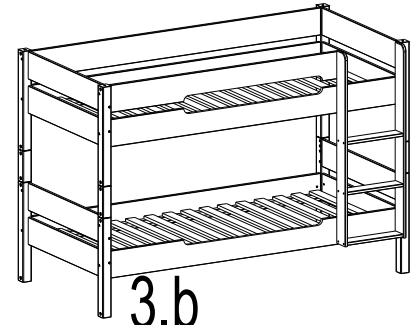


2. Шаг № 1,2,4,9

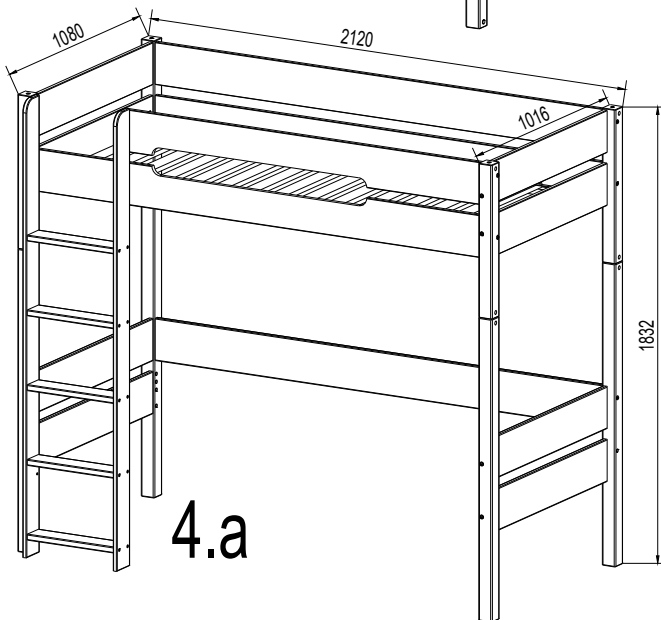


3.a

Шаг № 1,2,3,4,
5,6,7,8,10,11

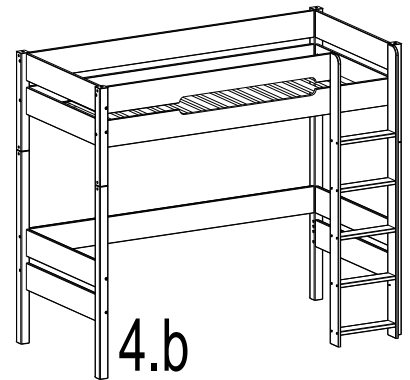


3.b



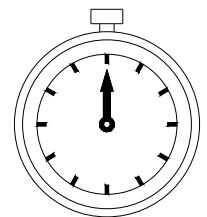
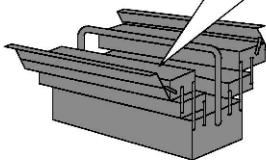
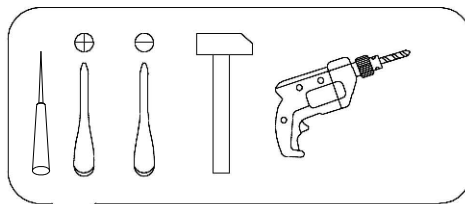
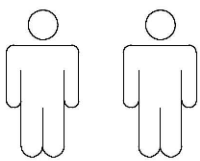
4.a

Шаг № 1,2,4,12,13,
14,15,16,17,18,19



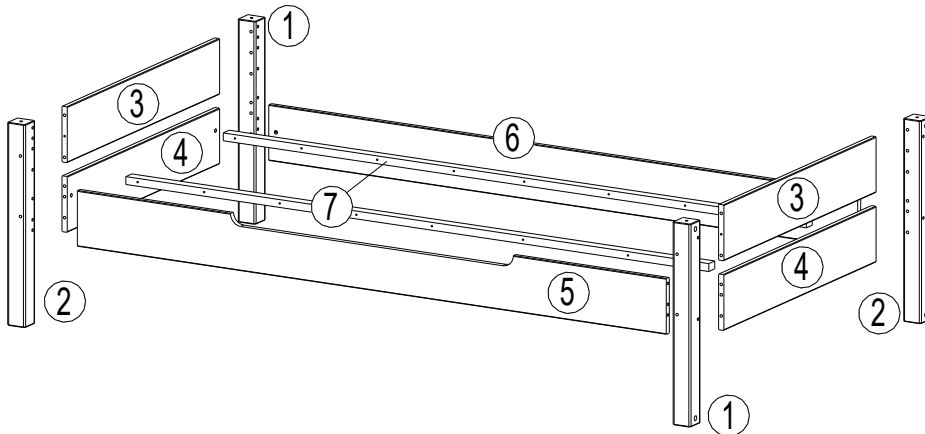
4.b

Кровать должна быть укомплектована матрасом
с габаритными размерами 900x2000 мм.
Рекомендуемая высота матраца не более 170 мм.

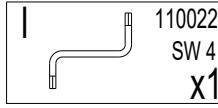
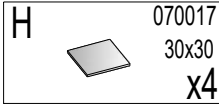
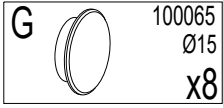
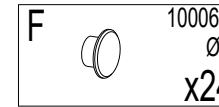
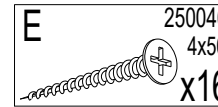
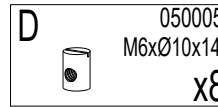
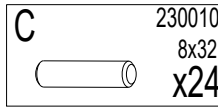
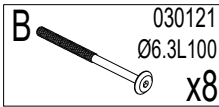
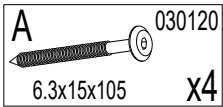


120 min

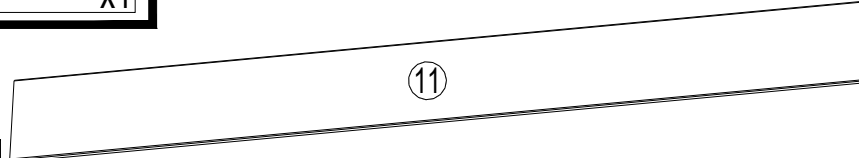
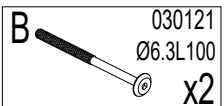
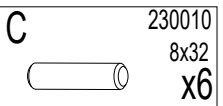
1/2/3a/3b



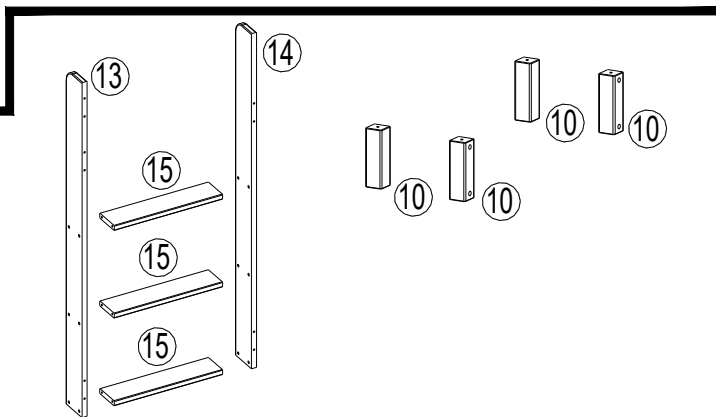
No	Size/MaB (mm)	Qty	✓
1	618x60x60	2	
2	618x60x60	2	
3	896x170x18	2	
4	896x170x18	2	
5	2000x170x18	1	
6	2000x170x18	1	
7	1980x35x24	2	



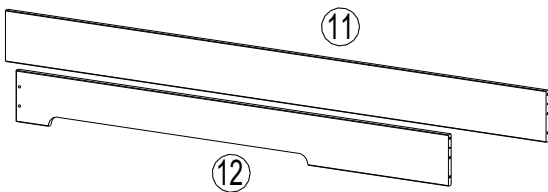
2



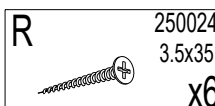
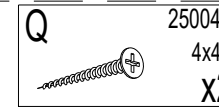
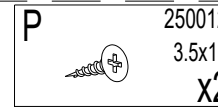
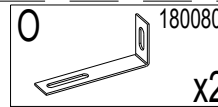
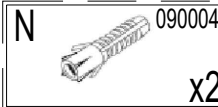
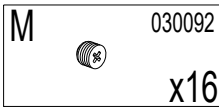
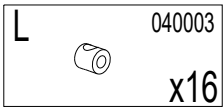
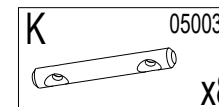
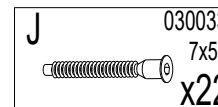
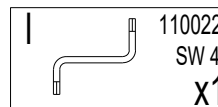
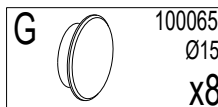
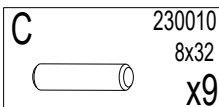
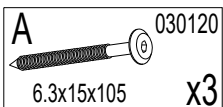
No	Size/MaB (mm)	Qty	✓
1	2000x170x18	1	



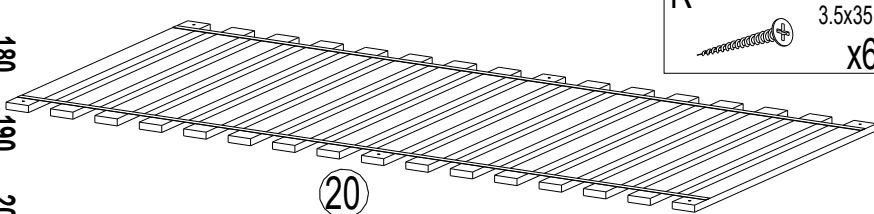
3a/3b



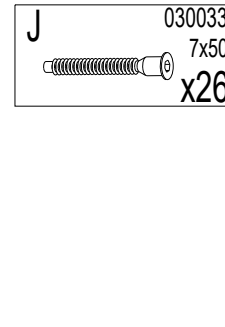
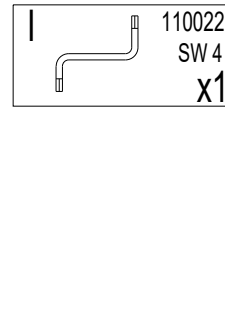
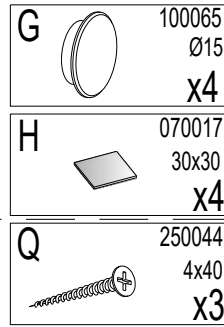
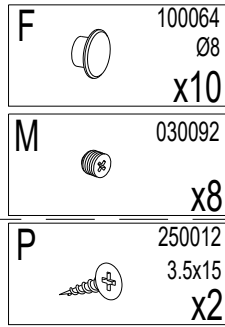
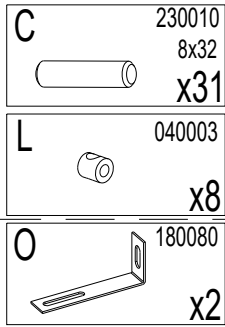
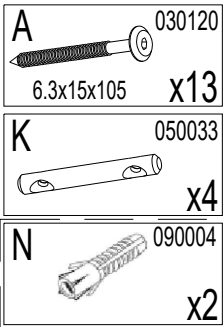
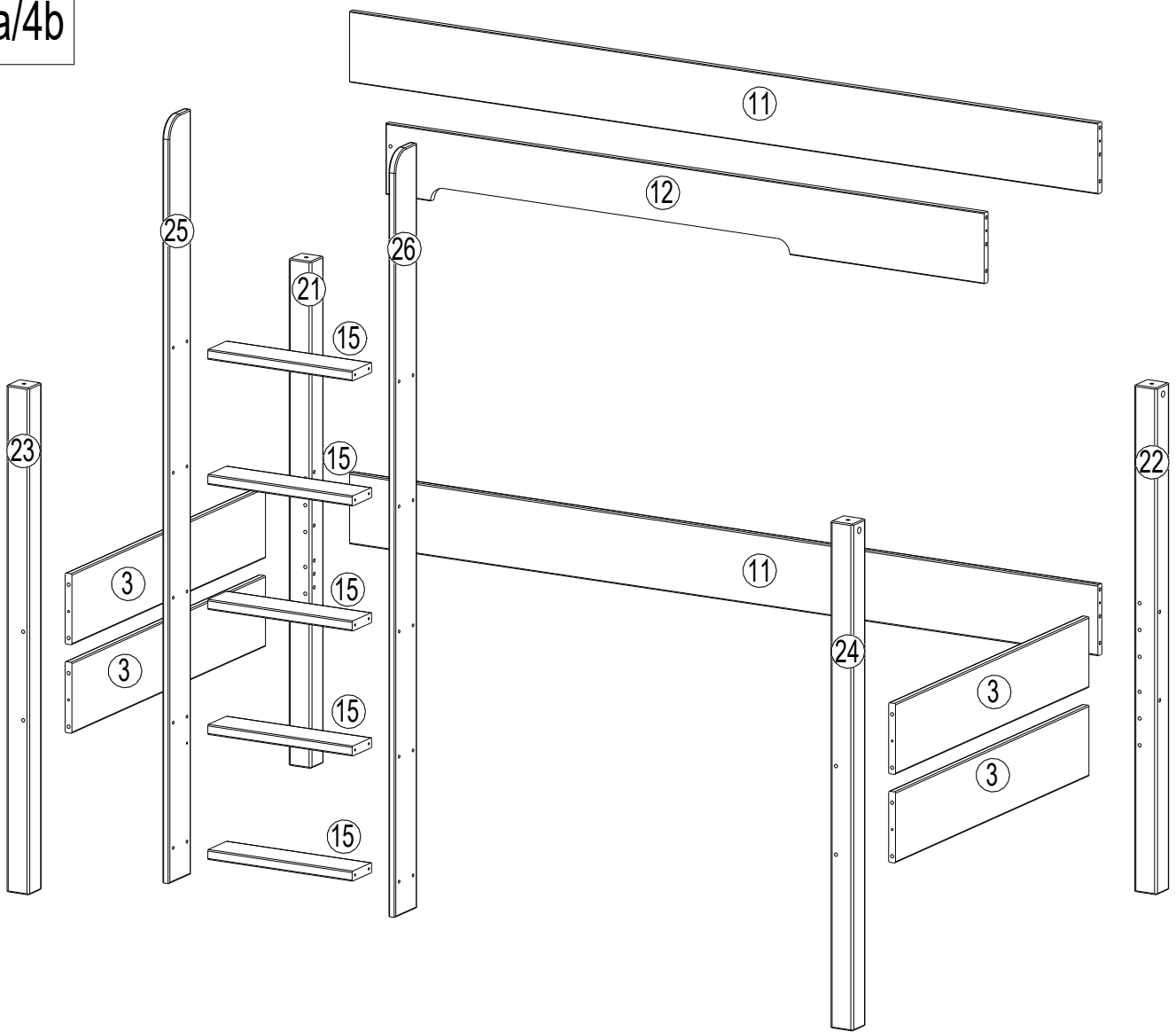
No	Size/MaB (mm)	Qty	✓	No	Size/MaB (mm)	Qty	✓
10	196x60x60(396x60x60)	4		13	1168x100x18(1368x100x18)	1	
11	2000x170x18	1		14	1168x100x18(1368x100x18)	1	
12	1598x170x18	1		15	386x90x24	3(4)	



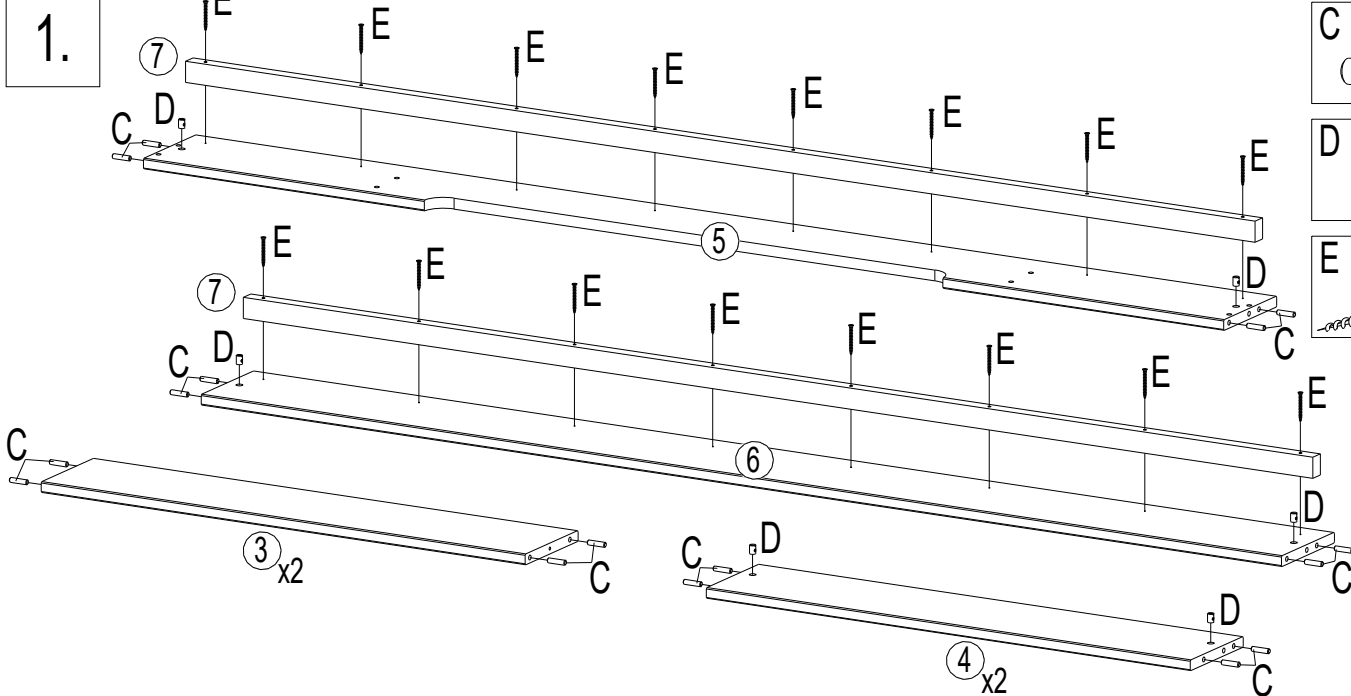
No	Size/MaB (mm)	Qty	✓
20	2000x900x18	1	



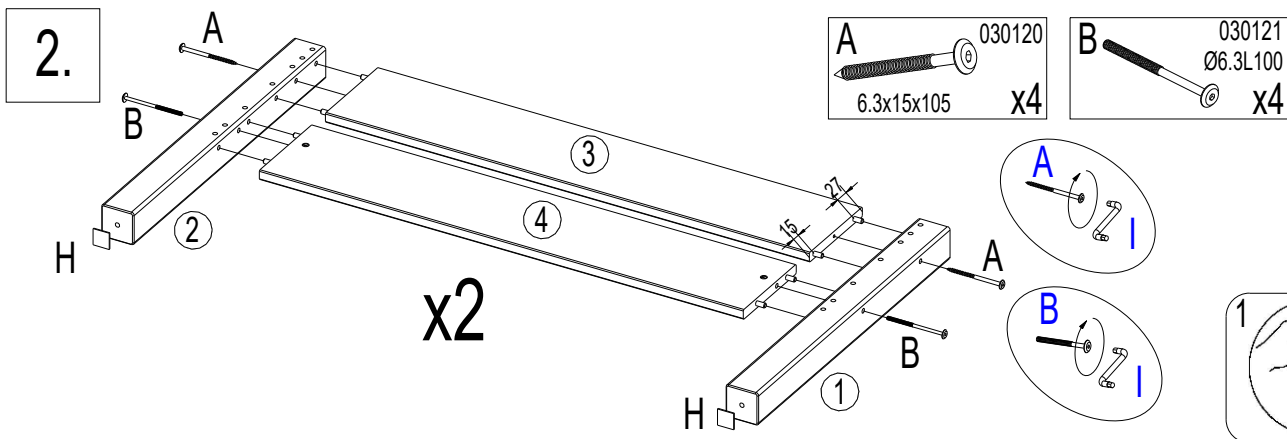
4a/4b



No	Size/MaB (mm)	Qty	✓	No	Size/MaB (mm)	Qty	✓
3	896x170x18	4		22	1214x60x60	1	
11	2000x170x18	2		23	1214x60x60	1	
12	1598x170x18	1		24	1214x60x60	1	
15	386x90x24	5		25	1832x100x18	1	
21	1214x60x60	1		26	1832x100x18	1	

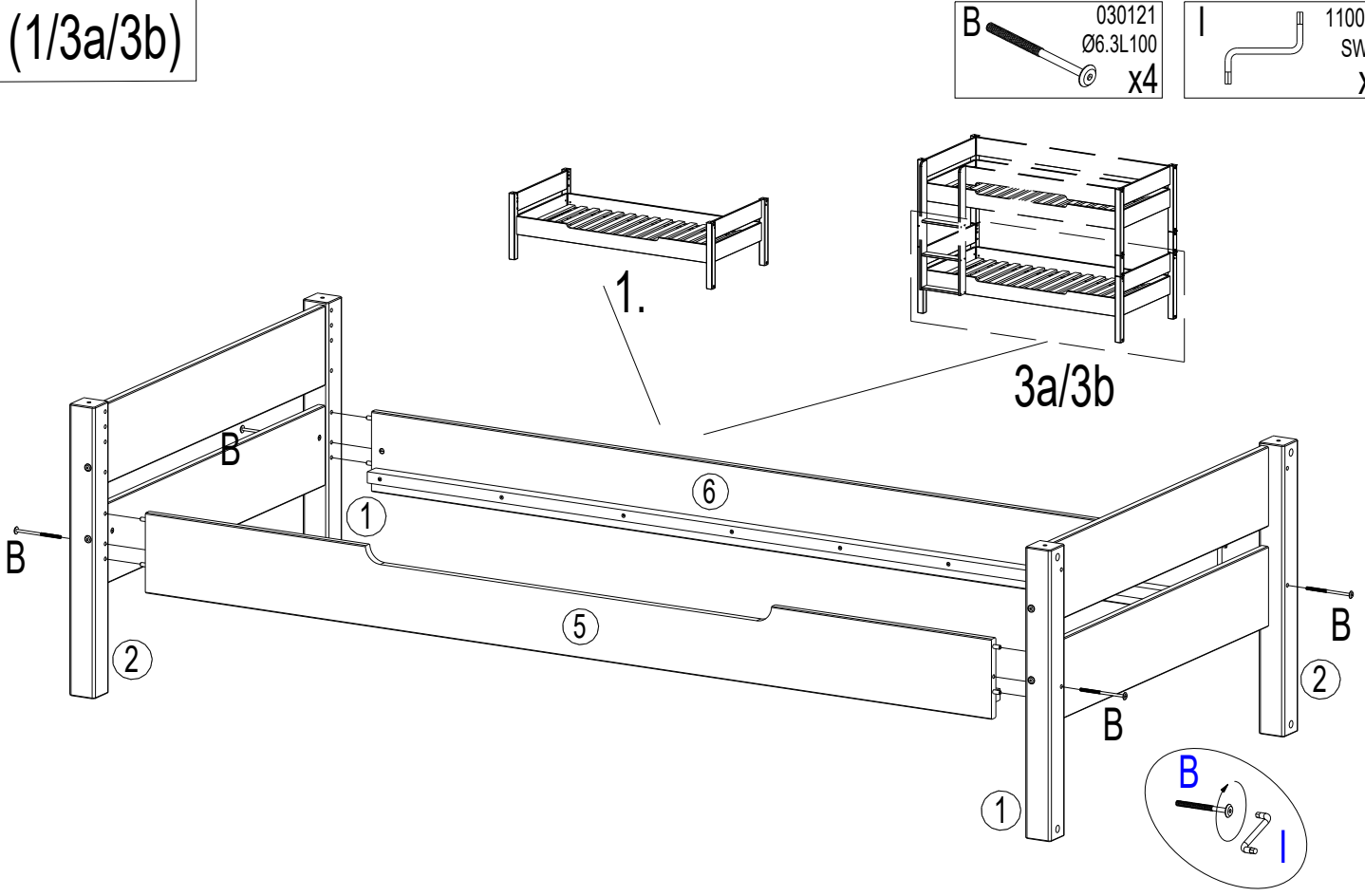


- | | |
|---|---------------------------|
| C | 230010
8x32
x24 |
| D | 050005
M6xØ10x14
x8 |
| E | 250046
4x50
x16 |

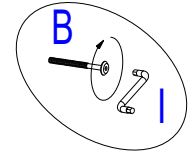


- | | | | | | |
|---|----------------------------|---|--------------------------|---------------------------------|-----------------------|
| A | 030120
6.3x15x105
x4 | B | 030121
Ø6.3L100
x4 | H | 070017
30x30
x4 |
| | | | | | |
| | | | | | |
| | | | | | |
| | | | | <p>I 110022
SW 4
x1</p> | |

3. (1/3a/3b)



- | | | | |
|---|--------------------------|---|----------------------|
| B | 030121
Ø6.3L100
x4 | I | 110022
SW 4
x1 |
|---|--------------------------|---|----------------------|



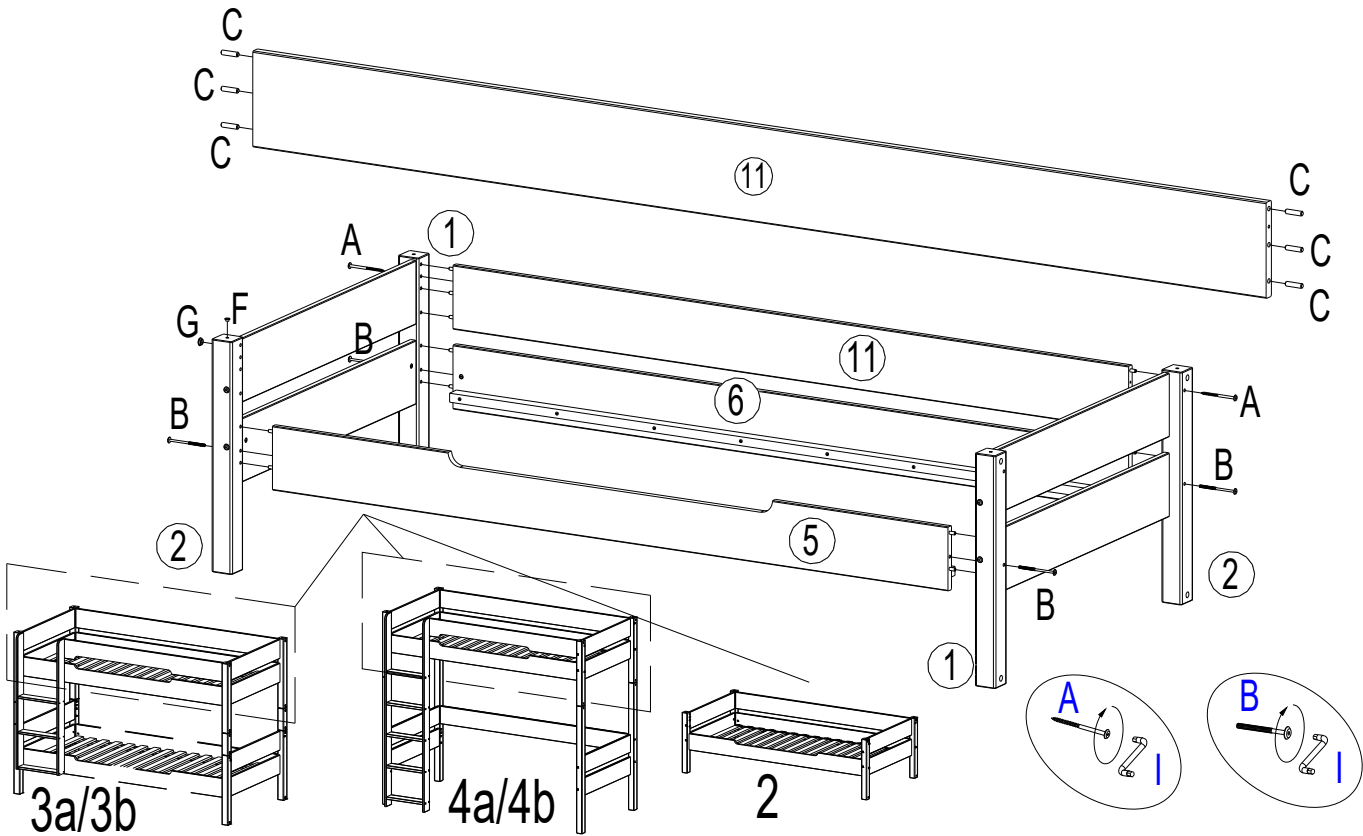
4. (2/3a/3b/4a/4b)

A 030120
6.3x15x105 x2

B 030121
Ø6.3L100 x4

C 230010
8x32 x6

I 110022
SW 4 x1

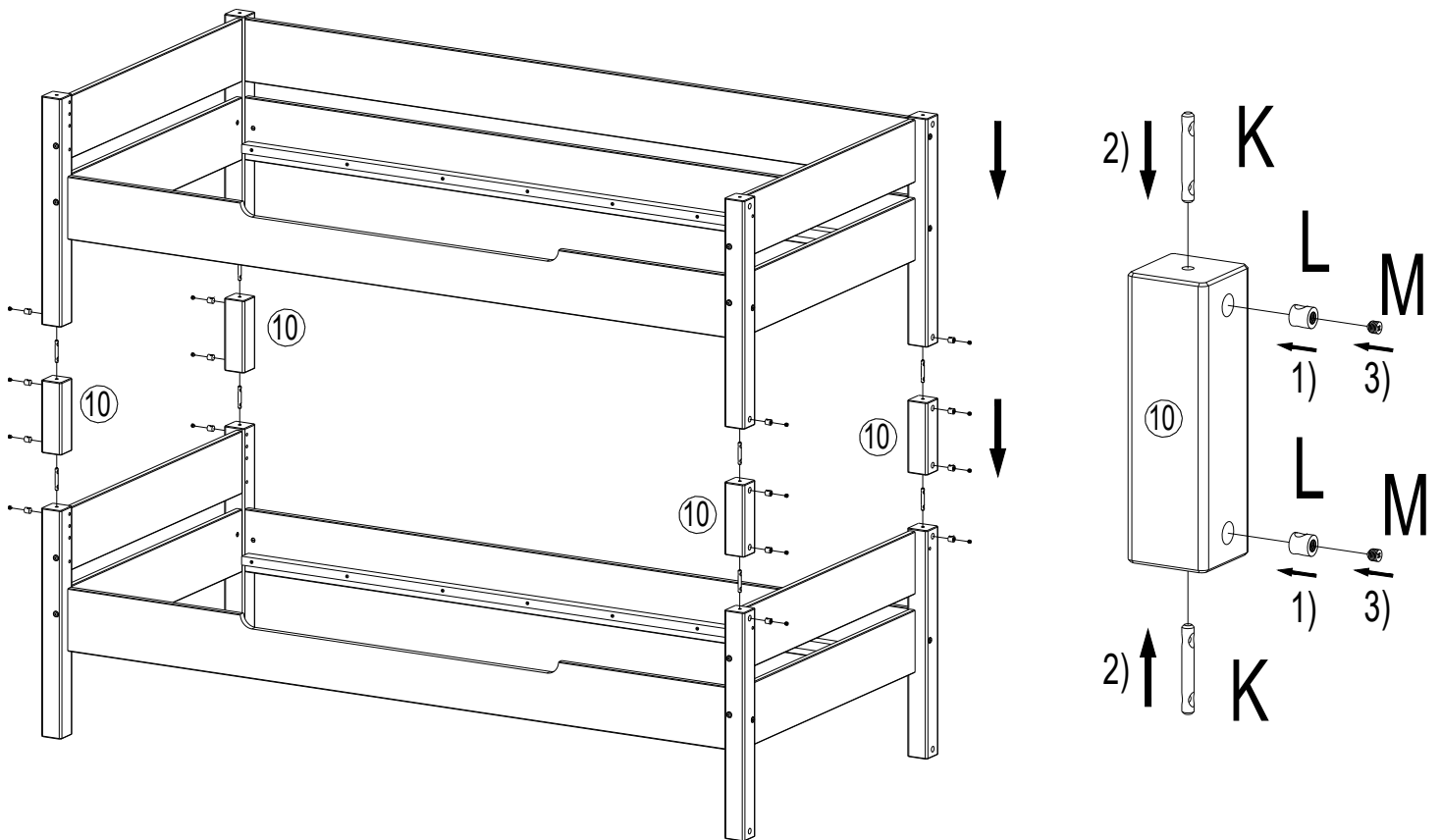


5. (3a/3b)

K 050033
x8

L 040003
x16

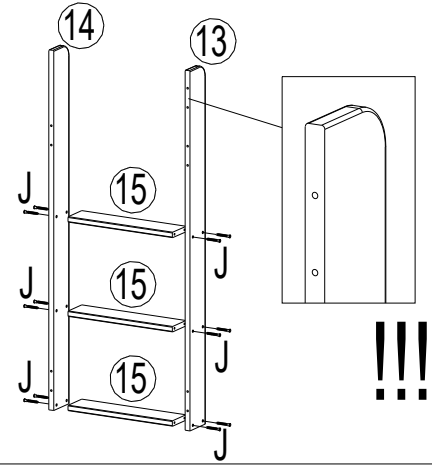
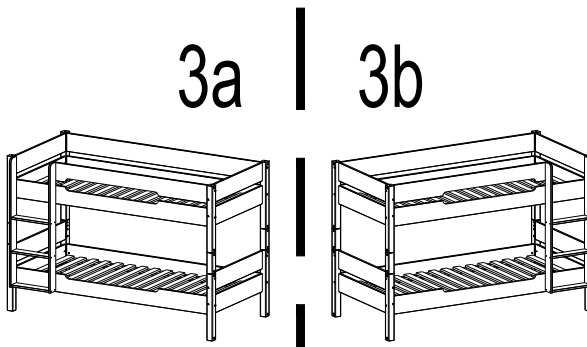
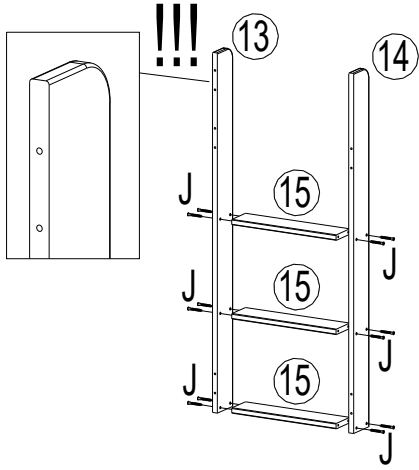
M 030092
x16



6. (3a/3b)

J 030033 7x50 x12

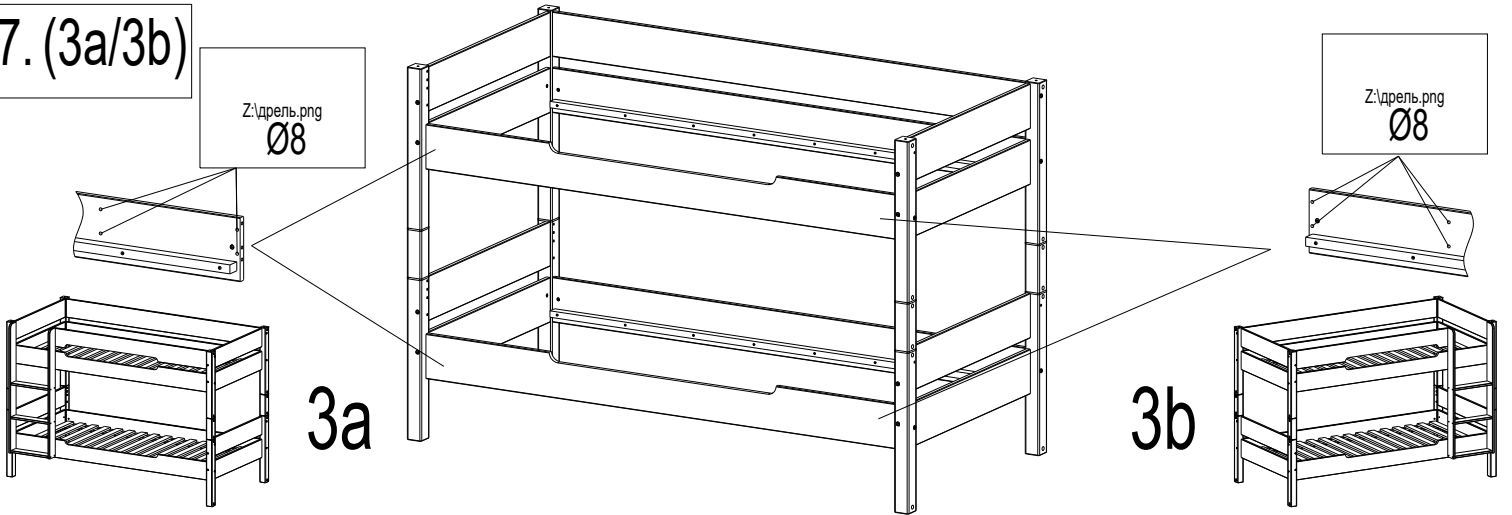
I 110022 SW 4 x1



7. (3a/3b)

Z:\дрель.png Ø8

Z:\дрель.png Ø8



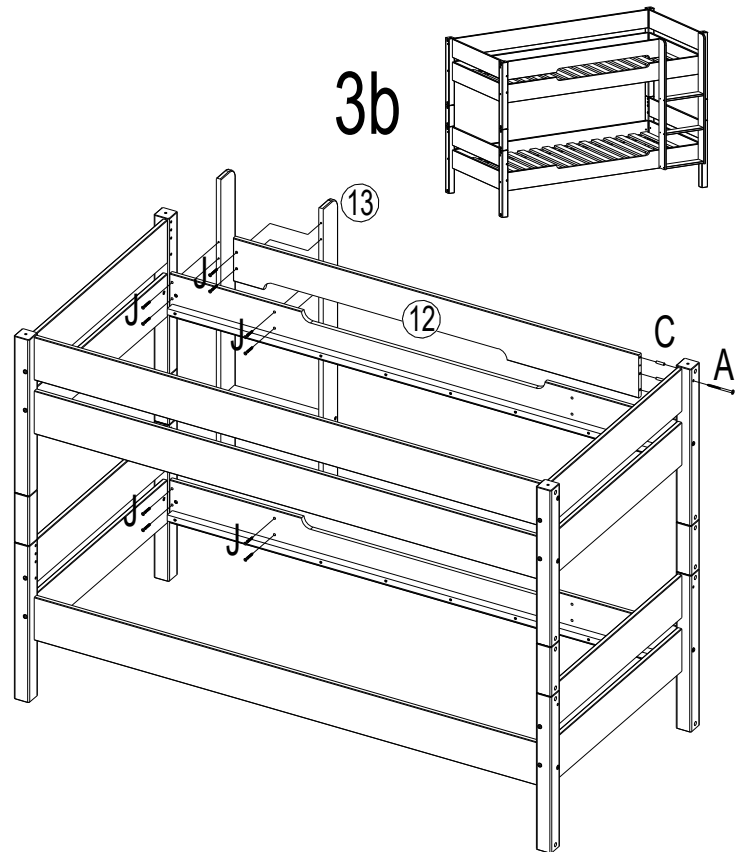
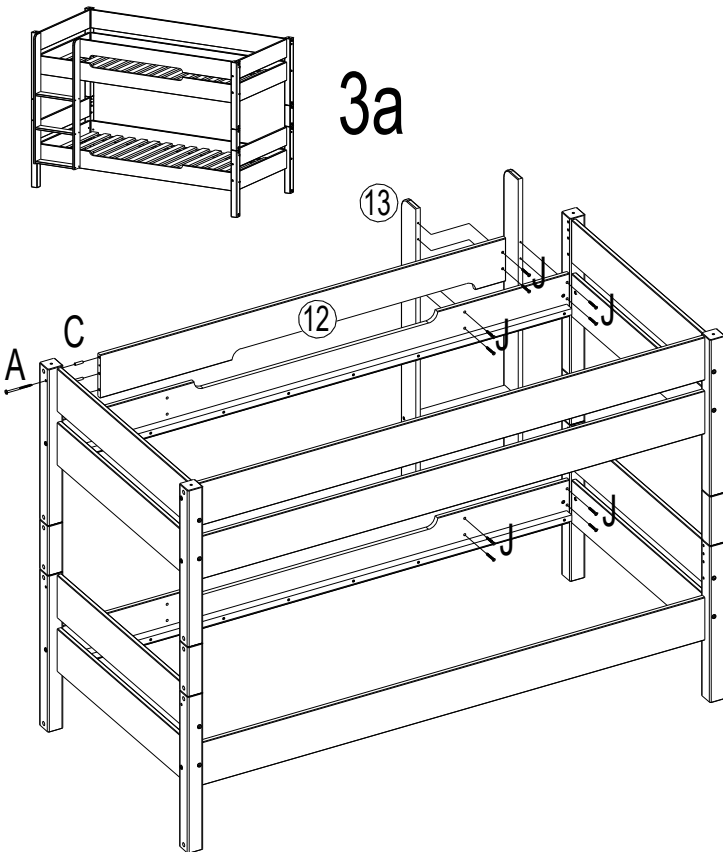
8. (3a/3b)

A 030120 6.3x15x105 x1

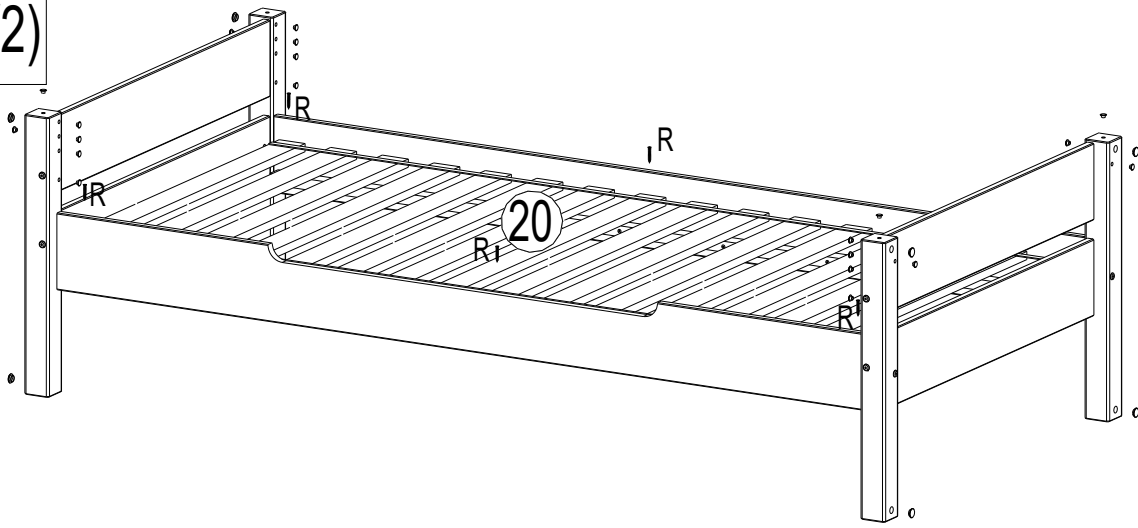
C 230010 8x32 x3

J 030033 7x50 x10

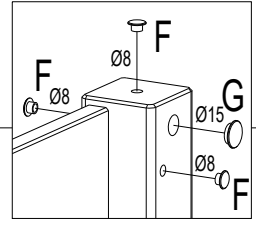
I 110022 SW 4 x1



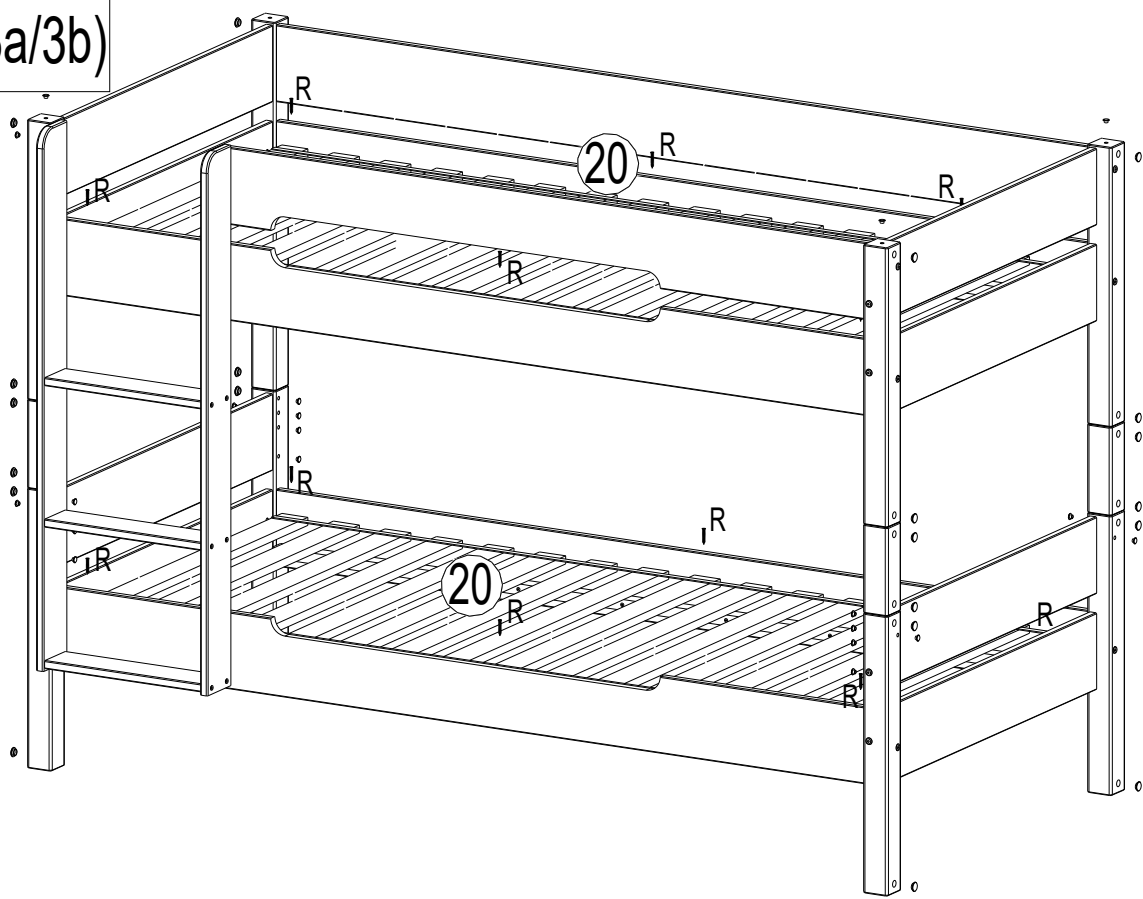
9. (1/2)



- F 100064
Ø8
x24
- G 100065
Ø15
x8
- R 250024
3.5x35
x6

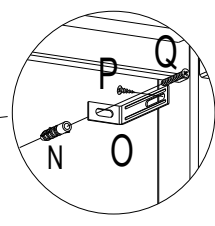
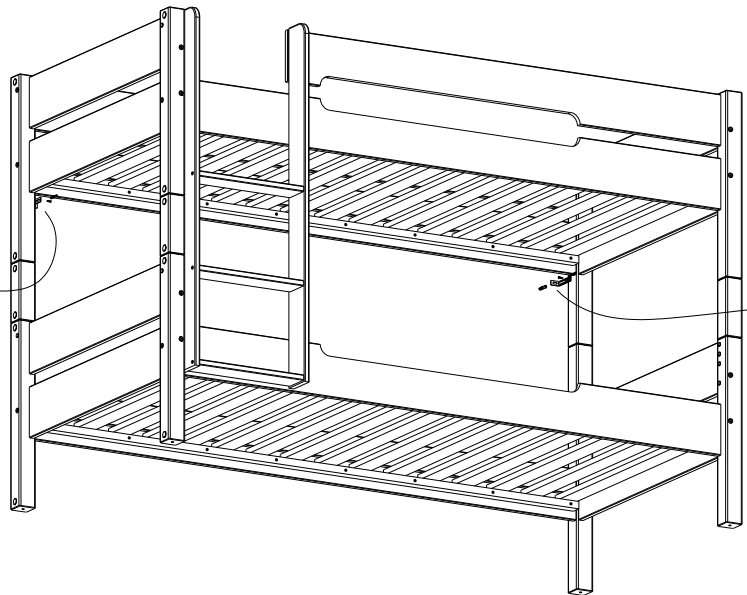
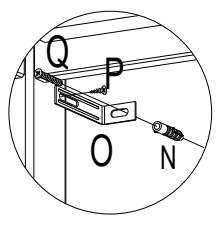


10. (3a/3b)



- F 100064
Ø8
x28
- G 100065
Ø15
x24
- R 250024
3.5x35
x12

11. (3a/3b)



- N 090004
x2
- O 180080
x2
- P 250012
3.5x15
x2
- Q 250044
4x40
x2

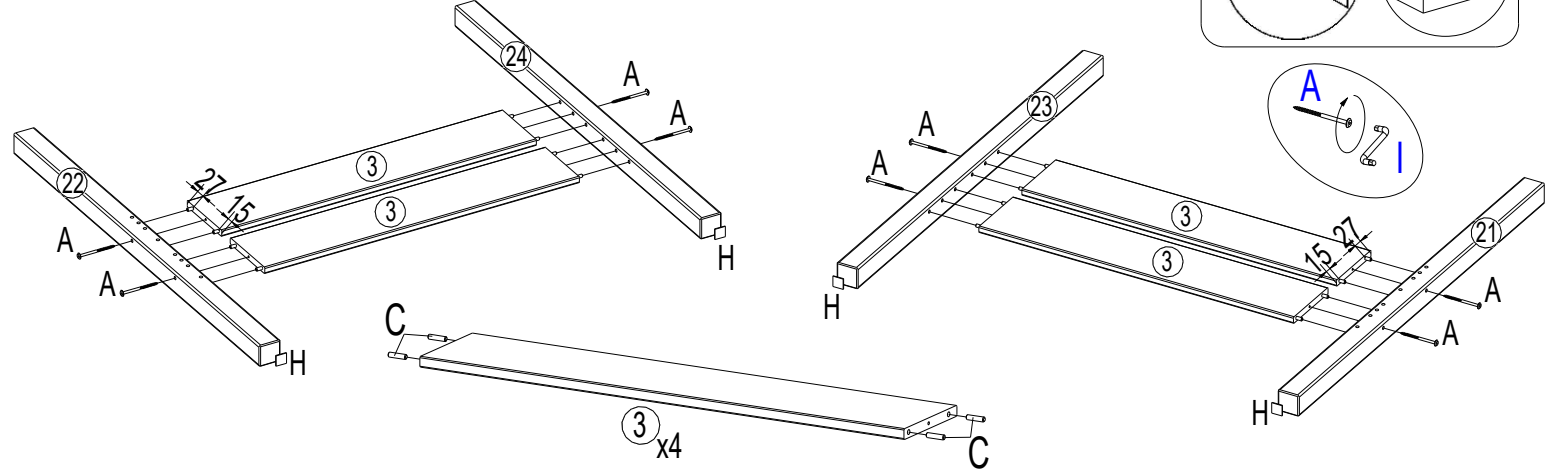
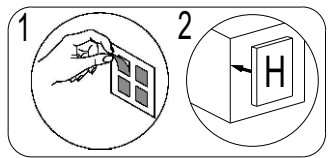
12. (4a/4b)

A 030120
6.3x15x105 x8

C 230010
8x32 x16

H 070017
30x30 x4

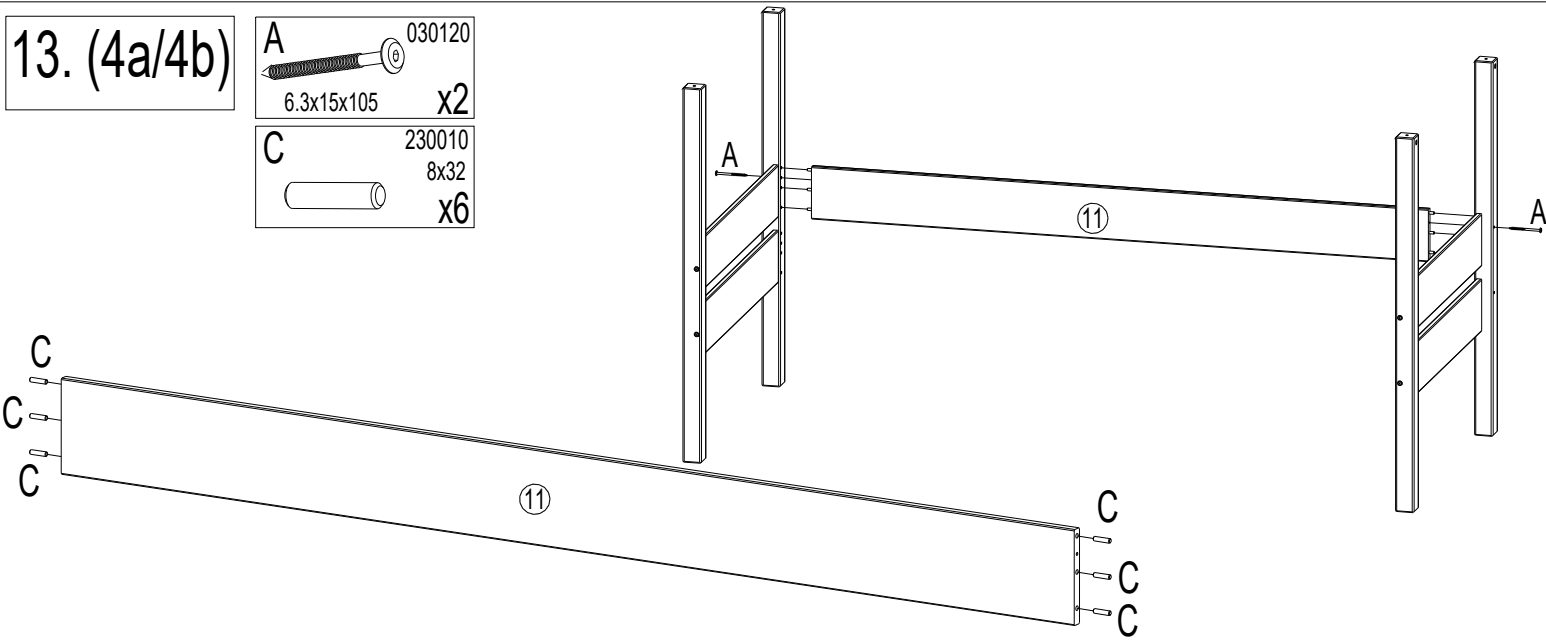
I 110022
SW 4 x1



13. (4a/4b)

A 030120
6.3x15x105 x2

C 230010
8x32 x6

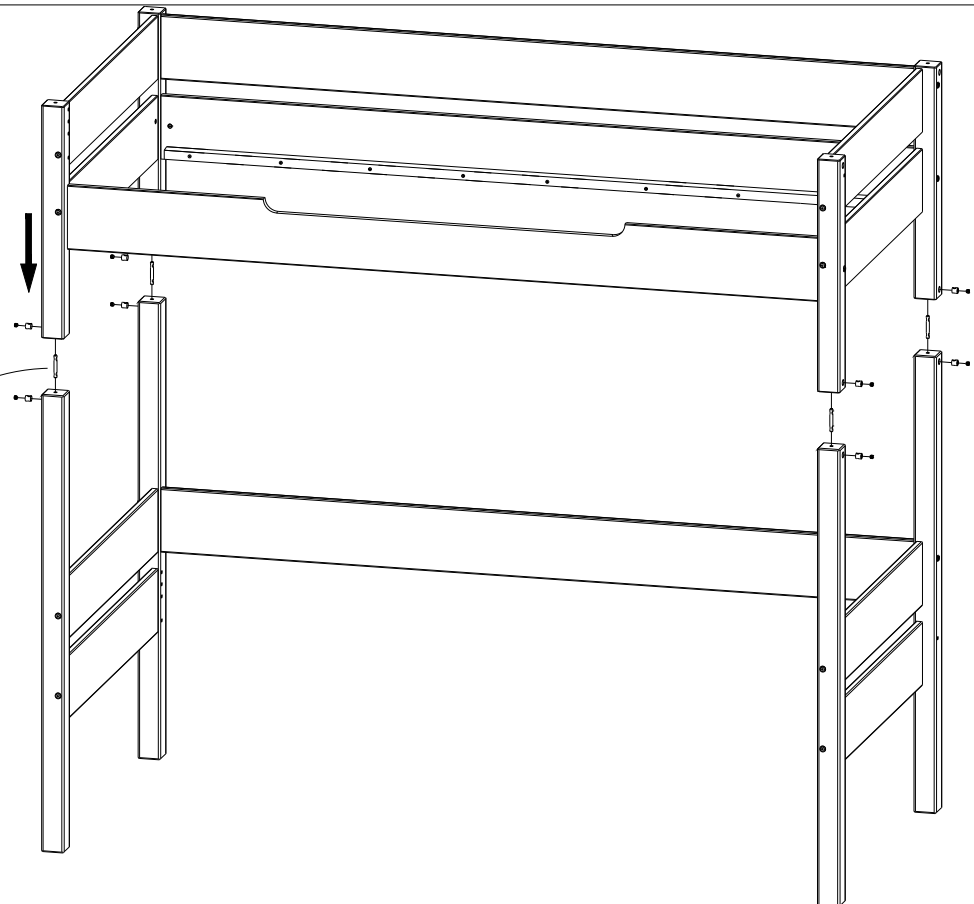
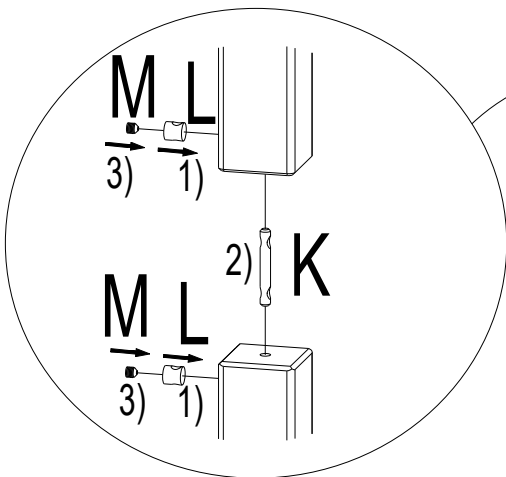


14. (4a/4b)

K 050033
x4

L 040003
x8

M 030092
x8

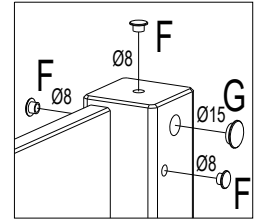


18. (4a/4b)

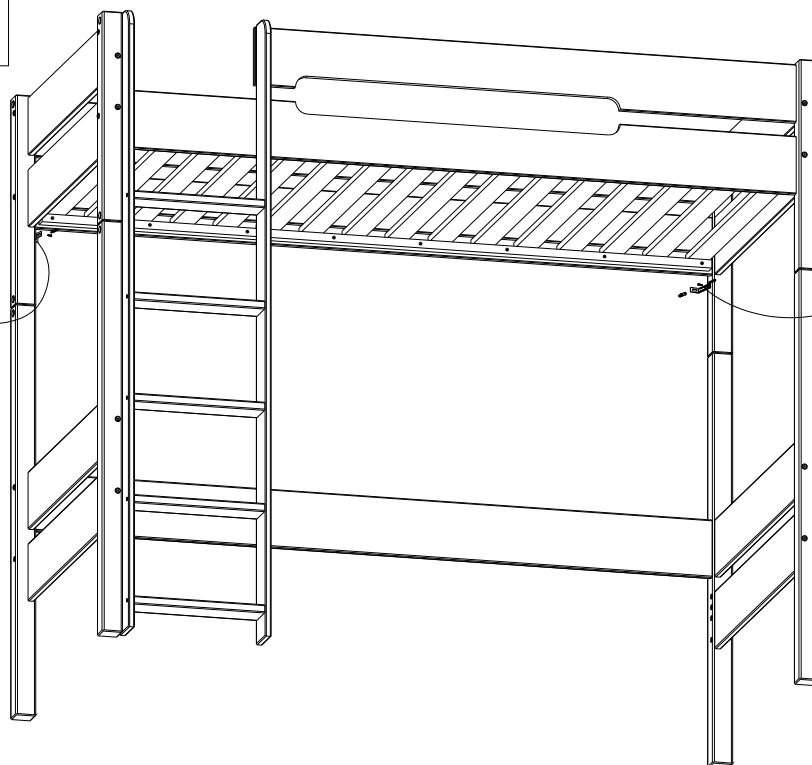
F 100064
Ø8
x10

G 100065
Ø15
x4

R 250024
3.5x35
x6



19. (4a/4b)



N 090004
x2

O 180080
x2

P 250012
3.5x15
x2

Q 250044
4x40
x2

